

## 3-Port Ethernet Switch

The CyberData 3-Port Ethernet Switch enables users of a PC to split a single Ethernet port into two Ethernet ports. The power for the switch is supplied by the PC.



### Features

- 3-port auto-negotiating (no crossover cable required)
- 10/100 full duplex
- USB or PS/2 mouse-powered (no external power supply required)
- Link/Status and connection speed LEDs
- Low power
- RoHS compliant

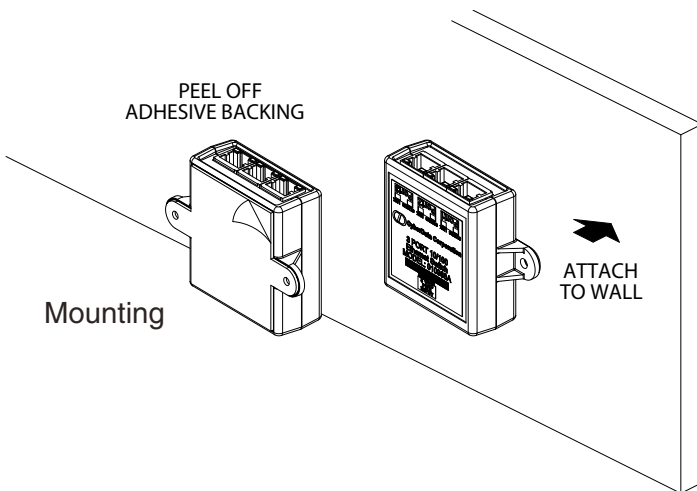
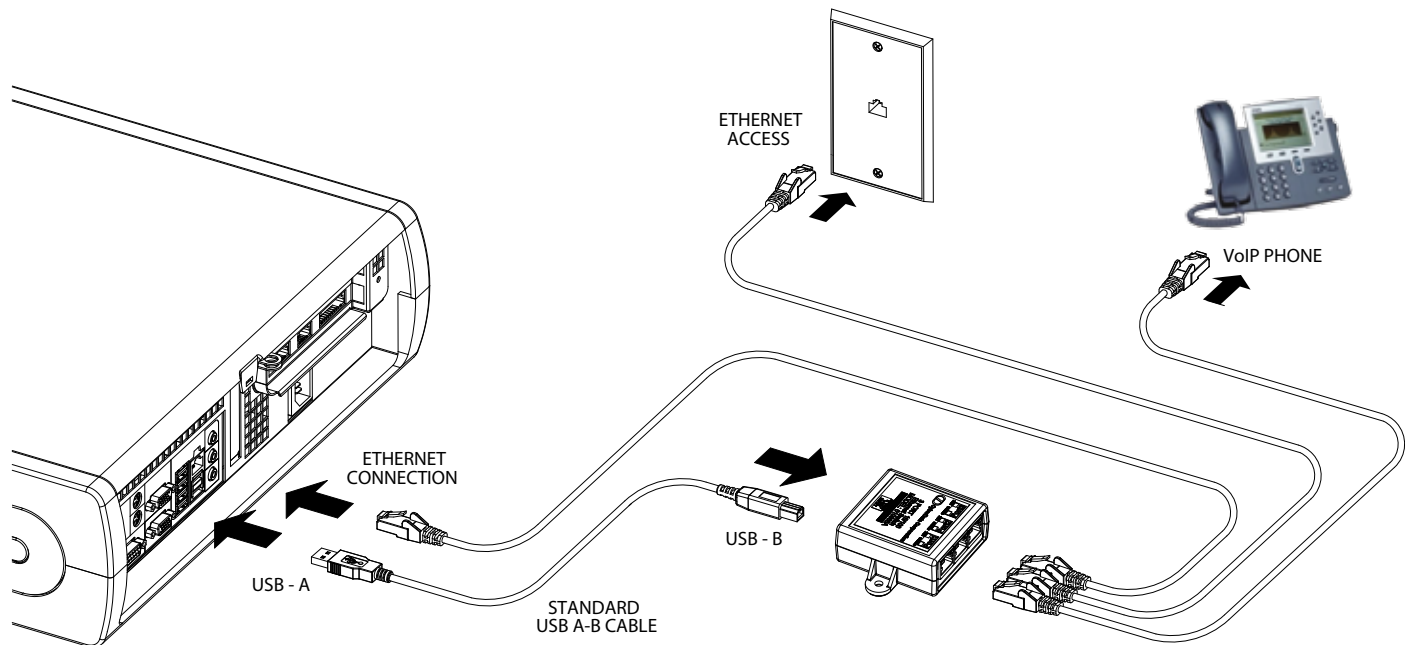
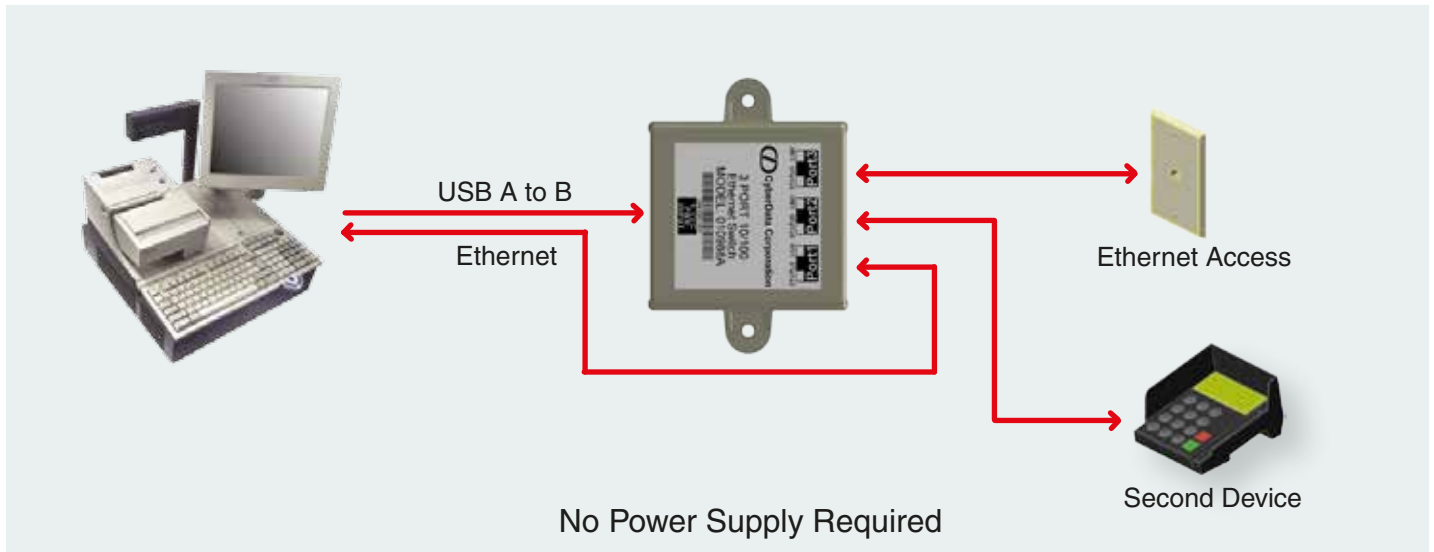
### Technical Details

- All ports are 10/100Mbps (10Base-T or 100Base-T) auto sensing based upon the port's individual connection
- Each port has auto MDX - any port can be used as the uplink connection
- Fully compliant to IEEE 802.3u standard
- On-chip 64KB frame buffer memory (not shared with 1k unicast address table)
- Automatic address learning, address aging and address migration
- Integrated lookup engine with 1k unicast MAC addresses
- 1.4Gbps high performance memory bandwidth.

### Specifications

Ports	3 x RJ45, 1 x USB-B
Dimensions	2.75" L x 3.78" W x 1.1" H
Warranty	2 years
Unit Weight	0.2 lbs.
Part Number	010988
Standards	IEEE 802.3u
Modes	10BASE-T, 100BASE-TX
Power	350 mA at 5 volts (supplied by either an USB or PS/2 port)
LEDs	Link/Status and Connection Speed
Operating temp.	-10° C to 50° C (14° F to 122° F)
Boxed Weight	0.3 lbs.

# 3-Port Ethernet Switch



**ALLOY**

1800 817 807

[sales@alloy.com.au](mailto:sales@alloy.com.au)  
[www.alloy.com.au](http://www.alloy.com.au)

Proudly distributed in Australia and New Zealand by  
**Alloy Computer Products Pty Ltd**

**Melbourne**  
4/585 Blackburn Road, Notting Hill, VIC 3168  
Tel: (03) 85629000 Fax: (03) 8562 9099

**Sydney**  
Suite 204, Milsons Landing, 6A Glen Street,  
Milsons Point, NSW, 2061  
Tel: (02) 8080 9600 Fax: (03) 8562 9099