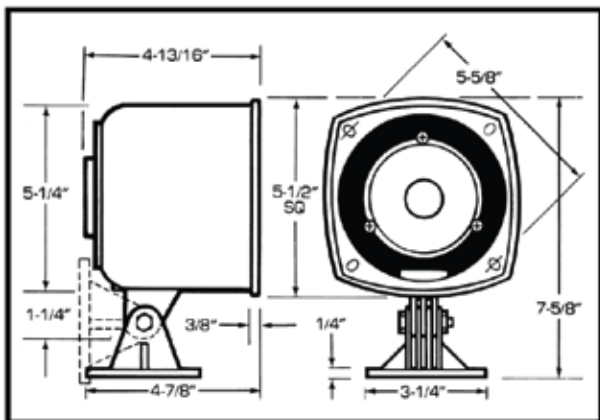


# Mini Horn Loudspeaker

## Features

- A small re-entrant horn package with a powerful and efficient compression driver.
- Designed for good speech intelligibility.
- Rated at 40 watts continuous duty using a 1-1/2" diameter 8 or 45 ohm voice coil on a rugged phenolic diaphragm.
- A heat sink coupled to the driver dissipates heat to maintain efficiency and endurance.
- Weather and corrosion resistant design uses stainless fasteners. Plating on driver meets 96-hour salt spray test. Other parts are made of impact and UV resistant ABS.
- Adjustable mounting base will attach to a 3-inch electrical box.
- Flange holes allow for recessed or concealed mounting.

## Dimensions



## Specifications

Input Impedance	8 ohms nominal
Power Handling	40 watts continuous duty
Frequency Range (On Axis)	700-6500 Hz ( $\pm 3$ dB) 500-7000 Hz ( $\pm 6$ dB)
Sound Pressure Level (At 1 meter)	<ul style="list-style-type: none"> <li>● 1 watt, 500 -5000 Hz, averaged; 107 dB</li> <li>● 1 watt, 1 octave at 2 kHz, averaged; 108 dB</li> <li>● 40 watts, 1 octave at 2 kHz, averaged; 123 dB</li> </ul>
Mounting Provisions	Adjustable base has four slots on 2-3/4" diameter for #8 screws. Horn flange has 4 holes on 5-5/8" diameter (4 squarepattern) for #8 screws.
Dimensions	7 .6" H x 5.5" W x 4.8" D
Net Weight	2.5 lbs. (1.14 kg.)
Warranty	2 Years Limited
Boxed Weight	2.8 lbs.
Part Number	011068

---

## Mini Horn Loudspeaker



1800 817 807

[www.alloy.com.au](http://www.alloy.com.au)  
[sales@alloy.com.au](mailto:sales@alloy.com.au)

*Proudly distributed in Australia by*  
**Alloy Computer Products Pty Ltd**

**Melbourne**  
4/585 Blackburn Road, Notting Hill, VIC 3168  
Tel: (03) 85629000 Fax: (03) 8562 9099

**Sydney**  
Suite 204, Milsons Landing, 6A Glen Street,  
Milsons Point, NSW, 2061  
Tel: (02) 8080 9600 Fax: (03) 8562 9099