

# VoIP V3 Indoor Emergency Intercom

# CyberData

The IP Endpoint Company

Newly designed with a faster processor allowing for more capabilities, the CyberData SIP-enabled VoIP V3 Emergency Intercom is perfect for settings where either an emergency panic button or two-way priority communications are required.

One of many within our line of PoE powered VoIP signaling and communication endpoints, the CyberData SIP-enabled VoIP V3 Emergency Intercom has been installed in settings requiring panic buttons and mass notification such as nursing care facilities, schools and universities, daycare facilities and more, proving this device is truly a versatile, cost-efficient alternative to old analog intercoms.

## Typical Applications

- Panic button
- Emergency phone
- Mass notification

## Modes of Operation

- Two-way Emergency Intercom
- Direct call to preset extension (with stored message option)
- Multicast broadcast (push-to-talk)
- Emergency paging speaker

## Features

- PoE 802.3af enabled (Powered-over-Ethernet)
- SIP compliant
- Adaptive full-duplex voice operation
- Network web management
- Network adjustable speaker volume and microphone sensitivity
- Network downloadable firmware
- Doubles as a paging speaker
- Dry relay contact for auxiliary control
- Peer-to-peer capable
- Door closure and tamper alert signal
- New Feature: Now supports SRST (Survivable Remote Site Telephony) in a Cisco environment.

**SRST parameters are entered statically into the CyberData product's internal webpage.**



## Specifications

Ethernet I/F	10/100 Mbps
Protocol	SIP RFC 3261 Compatible
Power Input	PoE 802.3af compliant or +5 volts at 1000mA
Operating Temperature	-30 to 55 C (-22 to 131 F)
Payload Types	G711, A-law and $\mu$ -law
Regulatory Compliance	FCC Class A, UL 60950
Dimensions	5" x 5" x 2.5" (H x W x D)
Warranty	2 years limited
Boxed Weight	1.2 lbs.
Part Number	011209

\*This number replaces the 011035 number.

The following Intercom models are also available:



Outdoor Intercom  
#011186



Indoor Intercom  
#011211



Wall Mount Keypad  
#011113

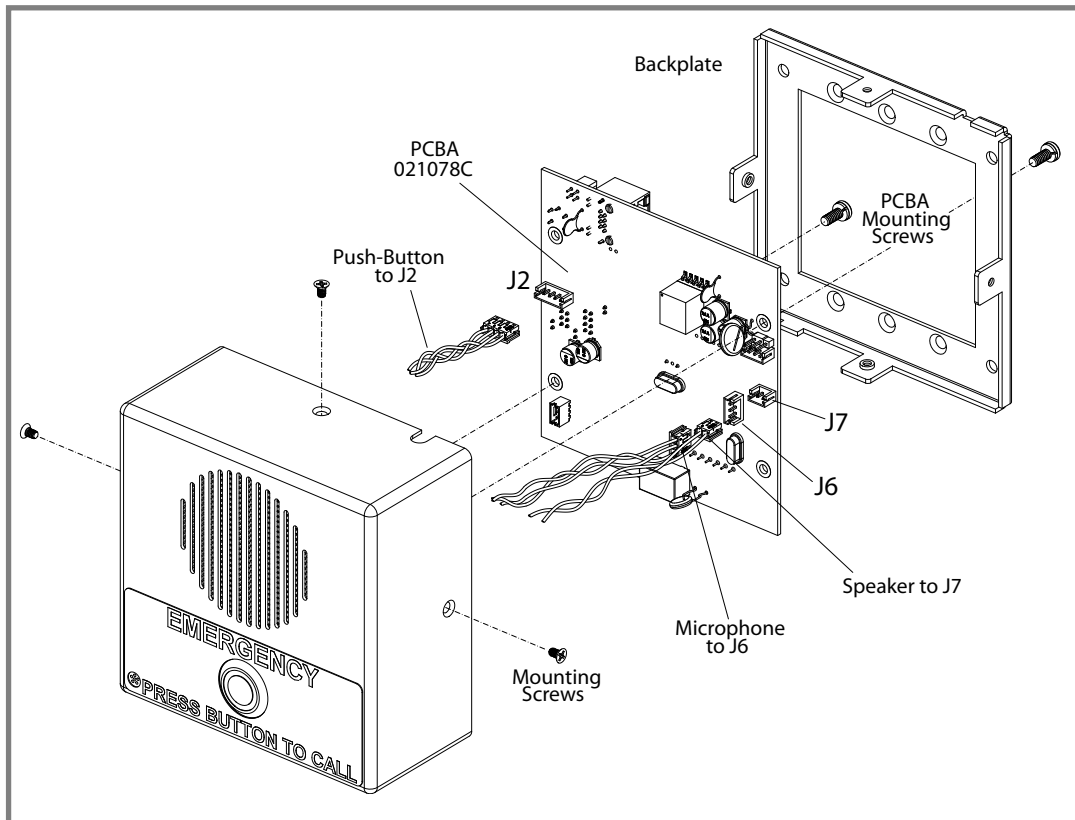
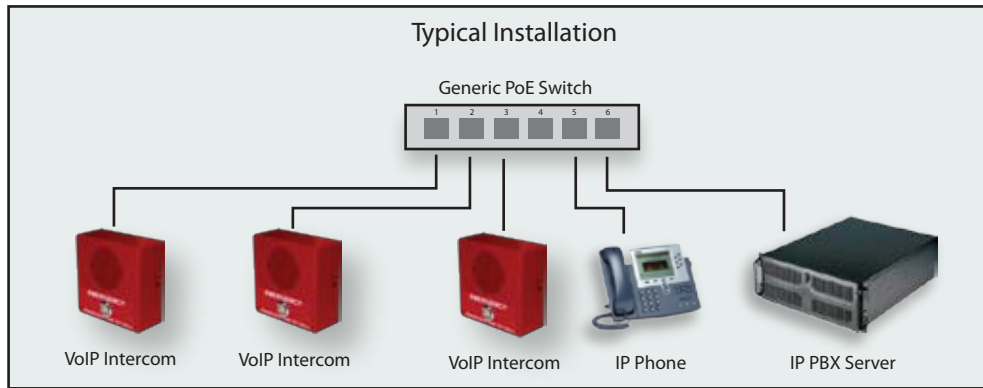


Flush Mount Keypad  
#011123

# CyberData

The IP Endpoint Company

# VoIP V3 Indoor Emergency Intercom



888 895 8256

Proudly Distributed in the USA by  
**Alloy Computer Products LLC**  
1226 Alderwood Avenue  
Sunnyvale, CA, 94089  
Phone: 408 740 4016