

VoIP V3 Indoor Intercom

The newest version of the CyberData SIP-enabled VoIP V3 Indoor Intercom is perfect for settings requiring two-way communication and secure access. The new processor allows for faster capabilities. One of many within our line of Power-over-Ethernet (PoE 802.3af) intercoms, the v3 Indoor Intercom has been utilized within nursing care and assisted living facilities, schools and universities, daycare facilities, apartment complexes and more, delivering a versatile, cost-efficient alternative to old analog intercoms.

Typical Applications

- Access control
- Door entry phone
- Emergency phone
- Mass notification

Features

- PoE 802.3af enabled (Powered-over-Ethernet)
- SIP compliant
- Adaptive full-duplex voice operation
- Network web management
- Network adjustable speaker volume and microphone sensitivity
- Network downloadable firmware
- Concurrent SIP and multicast paging
- Dry relay contact for auxiliary control
- Peer-to-peer capable
- Door closure and tamper alert signal
- New Feature: Now supports SRST (Survivable Remote Site Telephony) in a Cisco environment. **SRST parameters are entered statically into the CyberData product's internal webpage.**



Specifications

Ethernet I/F	10/100 Mbps
Protocol	SIP RFC 3261 Compatible
Power Input	PoE 802.3af compliant or +5 volts at 1000mA
Operating Temperature	-30 to 55 C (-22 to 131 F)
Payload Types	G711, A-law and μ -law
Regulatory Compliance	FCC Class A, UL 60950
Dimensions	5" x 5" x 2.5" (H x W x D)
Warranty	2 years limited
Boxed Weight	1.2 lbs.
Part Number	*011211, RAL 9003, Signal White
*This number replaces the 011111 number.	

The following Intercom models are also available:



Outdoor Intercom
#011186



Emergency Intercom
#011209

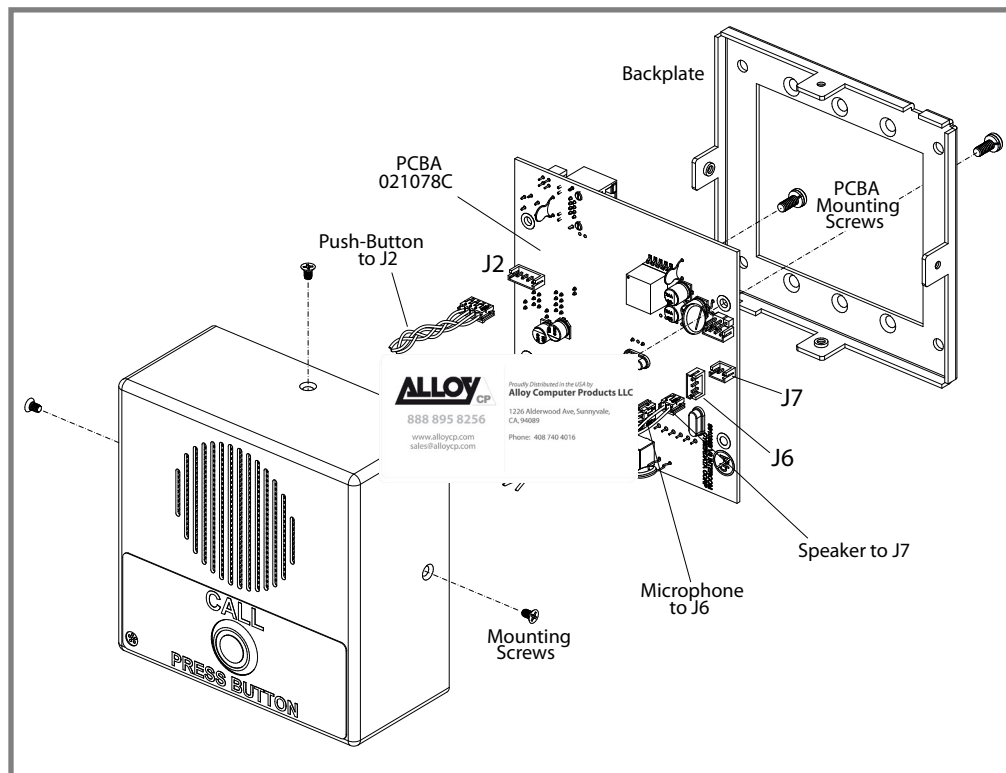
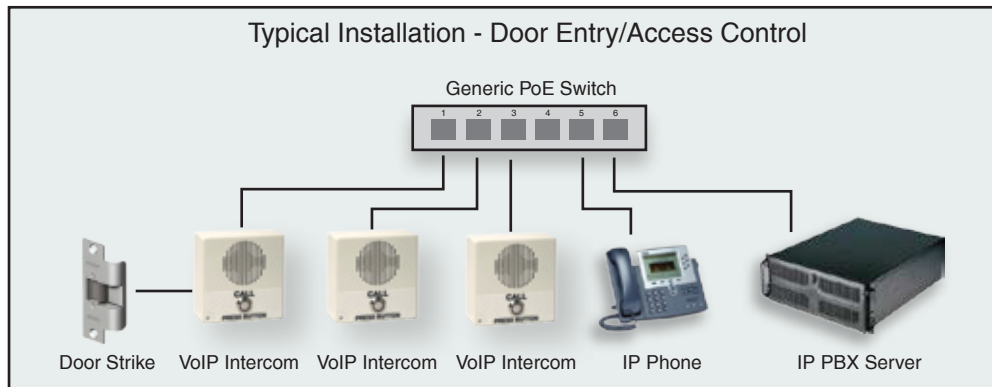


Wall Mount Keypad
#011113



Flush Mount Keypad
#011123

VoIP V3 Indoor Intercom



888 895 8256

www.alloycp.com
sales@alloycp.com

Proudly Distributed in the USA by
Alloy Computer Products LLC

1226 Alderwood Ave, Sunnyvale,
CA, 94089

Phone: 408 740 4016