

3-Port Gigabit Ethernet Switch

The CyberData 3-Port Gigabit Ethernet Switch enables users of a PC to split a single Gigabit Ethernet port into two Gigabit Ethernet ports. The power for the switch is supplied by the PC's USB port.

Features

- 3-port auto-negotiating (no crossover cable required)
- 10/100/1000 full duplex
- USB or PS/2 mouse-powered (no external power supply required)
- Link/Status and connection speed LEDs
- Low power
- RoHS compliant
- USB A to B cable included

Technical Details

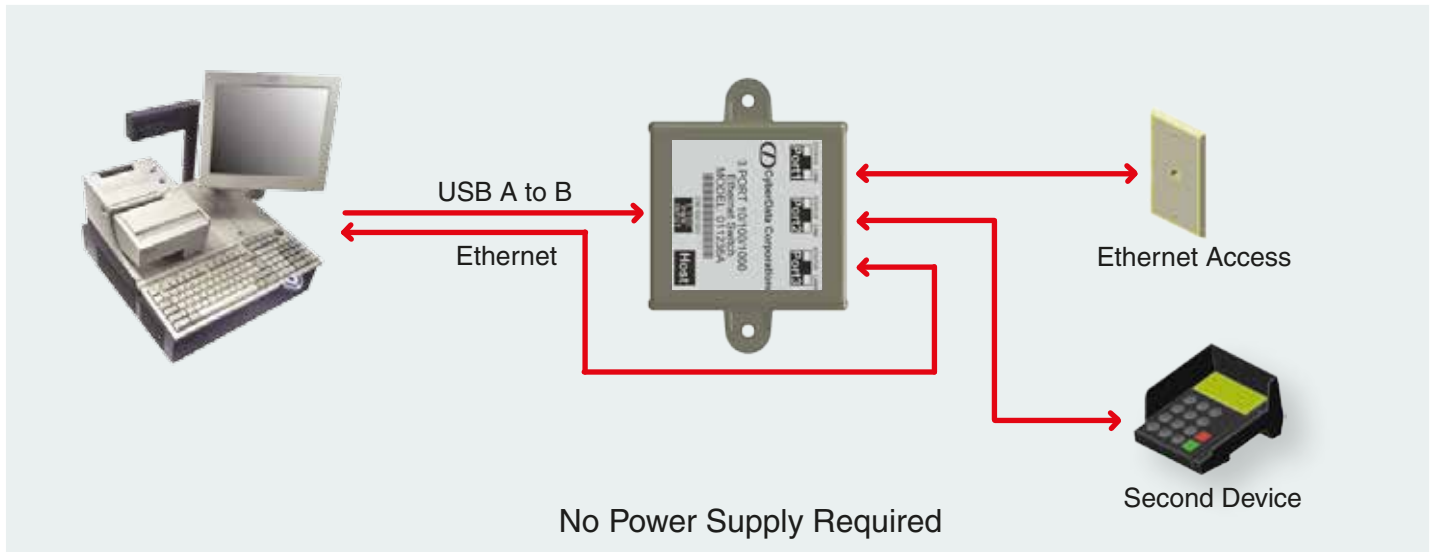
- All ports are 10/100/1000 Mbps auto sensing based upon the port's individual connection
- Each port has auto MDX - any port can be used as the uplink connection
- Fully compliant to IEEE 802.3u standard
- 9216-byte jumbo packet length forwarding at wire speed
- Automatic address learning, address aging and address migration
- Integrated lookup engine with 1k unicast MAC addresses
- 1.4Gbps high performance memory bandwidth
- Custom QOS and VLAN settings available



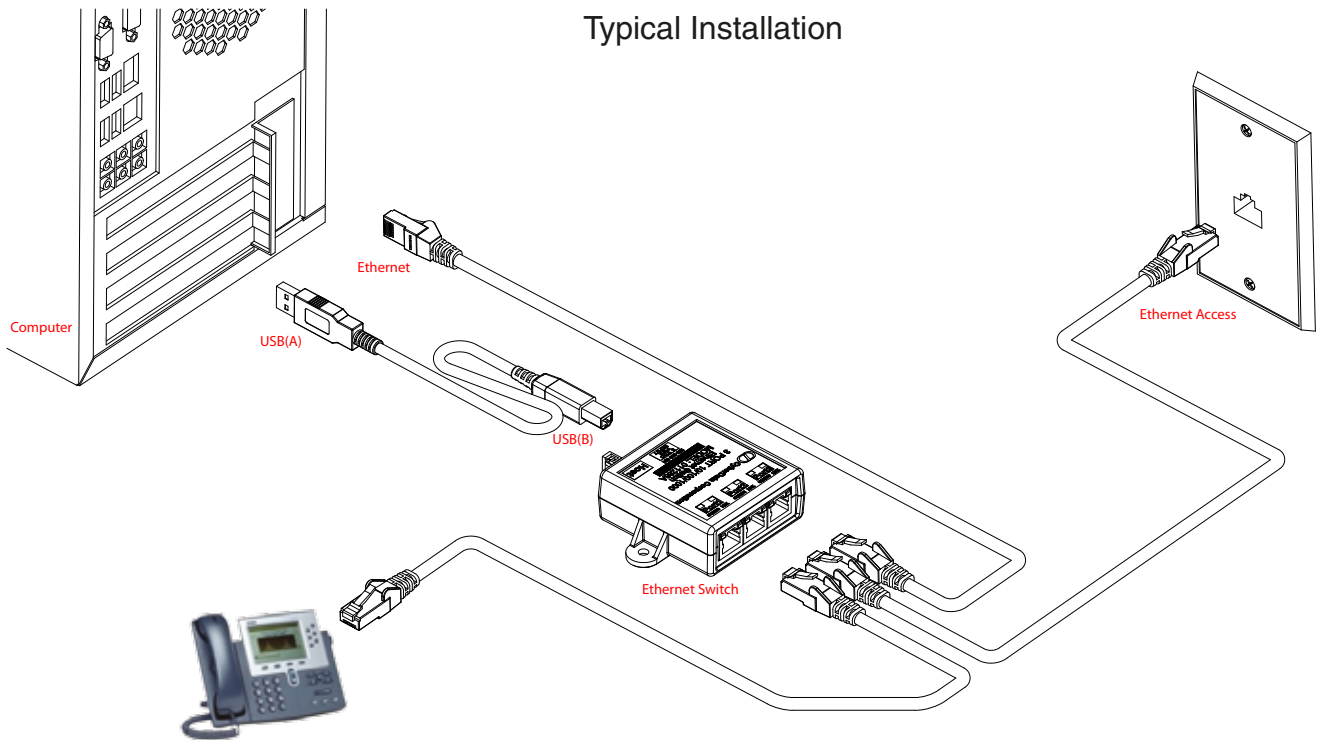
Specifications

Ports	3 x RJ45, 1 x USB-B
Dimensions	2.75" L x 3.78" W x 1.1" H
Warranty	2 years
Unit Weight	0.2 lbs.
Part Number	011236
Standards	IEEE 802.3u
Modes	10BASE-T, 100BASE-T, 1000BASE-T
Power	350 mA at 5 volts (supplied by either an USB or PS/2 port)
LEDs	Link/Status and Connection Speed
Operating temp.	-10° C to 50° C (14° F to 122° F)
Boxed Weight	0.3 lbs.

3-Port Gigabit Ethernet Switch

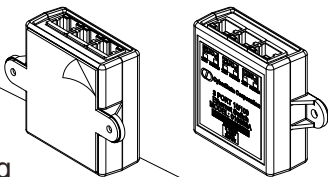


Typical Installation



PEEL OFF
ADHESIVE BACKING

Mounting



ATTACH
TO WALL

ALLOY

1800 817 807

sales@alloy.com.au
www.alloy.com.au

Proudly distributed in Australia and New Zealand by
Alloy Computer Products Pty Ltd

Melbourne

4/585 Blackburn Road, Notting Hill, VIC 3168
Tel: (03) 85629000 Fax: (03) 8562 9099

Sydney

Suite 204, Milsons Landing, 6A Glen Street,
Milsons Point, NSW, 2061
Tel: (02) 8080 9600 Fax: (03) 8562 9099

No Power Supply Required