

**HMG-826
HMG-826E**

Industrial Gigabit Managed Ethernet Switch



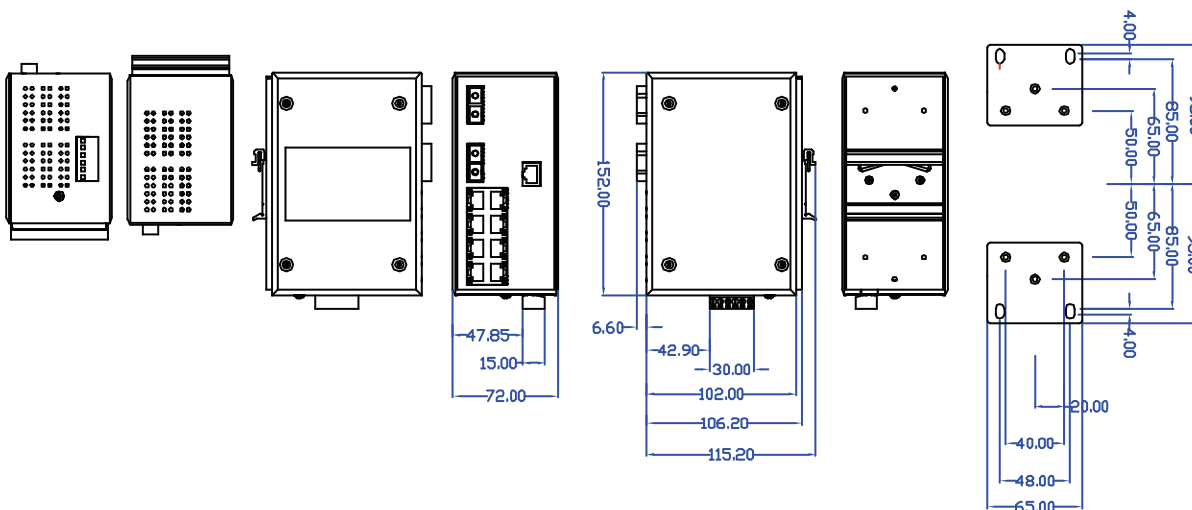
Features

- | | |
|--|---|
| <p>High Performance Network Switching Technology</p> <ul style="list-style-type: none"> ✓ Complies with IEEE 802.3, IEEE 802.3u, IEEE 802.3X, IEEE 802.1p, IEEE 802.1q, IEEE 802.1d, IEEE 802.1w, IEEE 802.1x, IEEE 802.3ad, IEEE 802.3z ✓ Provides 8 x 10/100/1000T Ethernet ports with RJ-45 connector ✓ Provides 2 x 1000 Mbps LX (single-mode) SC type fiber port ✓ RJ-45 Port support auto MDI/MDI-X crossover ✓ Provides broadcast storm protection ✓ Redundant X-Ring recovery time < 50 ms on full load ✓ Supports Dual Homing – RSTP over X-ring ✓ Supports Ring coupling ✓ SNMP for network management ✓ IGMP snooping for filtering multicast traffic ✓ QoS / ToS to increase network packet determinism ✓ VLAN for easy network planning ✓ Event notification by e-mail, SNMP trap, Syslog & Relay output ✓ Online Port Mirroring for online debugging ✓ IP security to define access levels for protection ✓ Configurable by WEB browser ✓ IntraVUE Network Management software compatible | <p>Robust Industrial Design</p> <ul style="list-style-type: none"> ✓ Robust Aluminum case complying to IP-31 housing standard ✓ Supports operating temperature -10 to 70°C & Extended temperature -40 to 80°C ✓ DIN-Rail, Panel mount or desktop installation ✓ High level of immunity to electromagnetic interference & power supply surges typically found in industrial plant environments or external curb side enclosures <p>Reliable Power Design</p> <ul style="list-style-type: none"> ✓ Wide range redundant power design ✓ Equipped with redundant power inputs ✓ Supports 24 to 48VDC redundant power with polarity reverse protection ✓ Terminal block present for master and slave power |
|--|---|

Overview

The Husky series HMG-826 is a highly reliable and fault-tolerant Industrial 10-port Gigabit Managed Ethernet Switch. It supports state of the art design with eight 10/100 Mbps Ethernet ports and two gigabit LX fiber ports. With the gigabit port, HMG-826 transmits data at high speed for long distances up to 10 km with an SC connector. With its high performance switching device, HMG-826 provides redundant self-recovery mechanism in less than 50ms on full load which allows you to establish a redundant Ethernet network to build a back-up ring topology. Dual homing and Ring coupling are supported to add reliability by allowing a device to be connected to be network by way of two independent connection points. HMG-826 offers powerful network management functions including SNMP, SMTP, Sntp, Quality of Service, Class of Service, IGMP, Snooping, LACP, DHCP, VLAN, RMON, Port Trunk, Port Mirror, User Authentication (Radius) and IP Security. The HMG-826 is equipped with a terminal block to provide dual power inputs with reverse polarity protection. Its IP-31 housing protection, wide operating temperature of -10 to 70°C and DIN-Rail mounting is suitable for an industrial environment. The E version extends the temperature rating to -40 to 80°C . The HMG-826 is a plug-and-play solution for your Industrial Ethernet applications.

Dimensions



Hardware Specifications

Interface

RJ-45 Ports	8 10/100Base-TX auto-negotiation speed, Full/Half duplex, auto MDI/MDI-X
Fiber ports	2 1000Base-LX single-mode port (SC connector)
LEDs	Per unit: Power (Green), Power 1 (Green), Power 2 (Green), Fault (Yellow), Master (Green) 8 port 10/100: Link/Activity (Green), Full duplex/Collision (Yellow) Gigabit port: Link/Activity
Alarm	Relay output for port break and power failure Current carry ability (1A at DC 24V)
Power Input	VDC 24-48V Redundant power with polarity reverse protect function and removable terminal block
Power Protection	ESD (Ethernet) : Present Surge : 1500VDC Power Reverse Polarity: Present
Power Consumption	3.5 watts
Dimensions	IP-31 standard, 72 mm (W) x 152 mm (H) x 105 mm (D)
Installation	DIN-Rail, panel mounting or desktop

Environmental

Operating Temperature	Regular: -10 to 70°C Extended: -40 to 80°C
Storage Temperature	-40 to 85°C (-40 to 185°F)
Operating Humidity	5%~90% RH (Non-condensing)

Technology Specifications

Standard	IEEE802.3 10BASE-T IEEE802.3u 100BASE-TX/100BASE-FX IEEE802.3x Flow Control and Back Pressure IEEE802.3ad Port trunk with LACP IEEE802.1d Spanning Tree Protocol IEEE802.1w Rapid Spanning tree IEEE802.1p Class of Service IEEE802.1Q VLAN Tagging IEEE 802.1x User Authentication (Radius)
RFC Standard	RFC2030 SNMP, RFC 2821 SMTP, RFC 1215 Trap, RFC2233 MIBII, RFC 1157 SNMP MIB, RFC 1493 Bridge MIB, RFC 2674 VLAN MIB, RFC 2665 Ethernet like MIB, RFC 2819 RMON MIB, Private MIB

Network Media	10Base-T: 2-pair UTP/STP Cat. 3, 4, 5 cable EIA/TIA-568 100-ohm (100m) 100Base-TX: 2-pair UTP/STP Cat. 5/5e cable EIA/TIA-568 100-ohm (100m)
Packet Filter	Broadcast packet filtering -Number of MAC (50 Tables) -IP Address Security (10 Sections)
Protocol Technology	CSMA/CD
Switching Architecture	Store and Forward

Performance

Data Transfer Rate	14,880 pps for Ethernet port 148,800 pps for Fast Ethernet port
MAC Address	8K
System Log	1 Mbytes
Back-plane	5.6 Gbps
Local Configuration	RJ-45 for RS-232 series
Port Statistics	Supported
Flow Control	Full-duplex and Back Pressure for Half-duplex
Packet Filter	Broadcast/Multi-cast/Unknown Broadcast storm packet filter
Transfer Packet Size	3.87 Mpps at 64 bytes

Regulatory Approvals

EMI	FCC Class A
EMS	EN6100-4-2 EN6100-4-3 EN6100-4-4 EN6100-4-5 EN6100-4-6 EN6100-4-8 EN6100-4-11
Safety	UL, cUL, CE/EN60950
Shock	IEC60068-2-27
Vibration	IEC60068-2-6
Free Fall	IEC60068-2-32
Class 1 DIV 2	Pending *

DNV	Pending *
Environmental	WEEE, RoHS
MTBF	325,000 hrs based on Mil-Hdbk-217F, GB
Warranty	5 years

Management Specifications

Redundancy	<ul style="list-style-type: none"> Supports X-ring redundant back-up path Supports Dual Homing Supports Ring Coupling Recovery time less than 50 ms Web interface management can activate X-ring protocol
Management Protocols	SNMP V1/V2c, RMON 1 (Statistics, History, Alarm, Events) SMTP, SNTP, IGMP V1 & Query mode, DHCP/Client, TFTP
MIB	MIB-II, Bridge MIB, Ethernet like MIB, VLAN MIB, Private MIB
Configuration	<ul style="list-style-type: none"> Web interface management Default button is available to restore default settings
VLAN	<ul style="list-style-type: none"> Support Port based VLAN/Tag VLAN(256 entries) VLAN ID(Up to 4K) GVRP(256 Groups) Static VLAN groups up to 256, the VLAN ID can be assigned from 1 to 4094
Quality of Service	Hardware supports 4 queues per port
Port Mirroring	Online traffic monitoring on selected ports
MAC IP Security	Supports ingress and egress MAC address filter and static source MAC address lock, Dumping MAC address Table, Ingress/Egress MAC address security, per port support learning 50 MAC addresses
IP Security	Support 10 IP address accounts for system management security for Web, SNMP and Telnet management security to prevent intruder.
IGMP Snooping	v1 and v2, query mode, multicast group with 256 entries
LACP Port Trunk	3 Trunk groups/Maximum 4 trunk members
Port Mirror	Global system supports 3 mirroring types: "RX, TX and Both packet". Maximum of 8 entries
Port Trunk	802.3ad with LACP function. Up to 3 trunk groups and maximum group member up to 4 ports
Class of Service	Per port 4 queues
E-mail Warning	Pre-defined events
SNMP Trap	Cold start, link down, link up, authorization fail, X-ring topology Change, Power alarm trap, Trap station up to 3
SMTP	Support up to 6 e-mail accounts
Firmware upgrade	By TFTP

Optical Specifications

Model	Fiber type (um)	Connector	Wavelength (um)	TX Power (min)	TX Power (Max)	Rx Power (Min)	Rx Power (Max)	Link Budget (dbm)	Distance (km)
HMG-826	Single-mode (1000BaseLX) 8-10/125	SC	1310nm	-9.5dBm	-3dBm	-20dBm	-3dBm	11dBm	10 km
HMG-826E	Single-mode (1000BaseLX) 8-10/125	SC	1310nm	-9.5dBm	-3dBm	-20dBm	-3dBm	11dBm	10 km

Ordering Information

HMG-826	Industrial 10-port Gigabit Managed Ethernet Switch With 2 1000Base-LX SC fiber port
HMG-826E	Industrial 10-port Gigabit Managed Ethernet Switch With 2 1000Base-LX SC fiber port, Extended Temperature -40 to 80°C

*Extended temperature products are produced to order

Recommended Accessories

DR-4524	45W/2A DIN-Rail 24 VDC power supply
DR-7524	75W/3.2A DIN-Rail 24 VDC power supply
DR-120-24	120W/5A DIN-Rail 24 VDC power supply



1800 817 807
sales@alloy.com.au
www.alloy.com.au

Proudly distributed in Australia by

Alloy Computer Products Australia Pty Ltd

Melbourne
4/585 Blackburn Road
Notting Hill, VIC 3168
Tel: (03) 8562 9000
Fax: (03) 9561 7412

Canberra
2/42 Geils Court
Deakin, ACT 2600
Tel: (02) 6291 4922
Fax: (02) 6291 8100

Sydney
99 Baxter Road
Mascot, NSW 2020
Tel: (02) 8080 9600
Fax: (02) 8080 9602