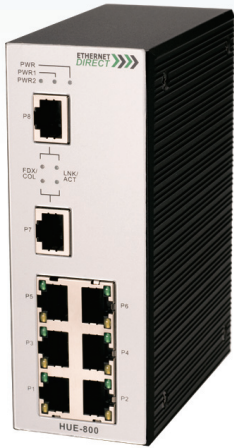


**HUE-800
HUE-800E**

Industrial 8-port Unmanaged Ethernet Switch



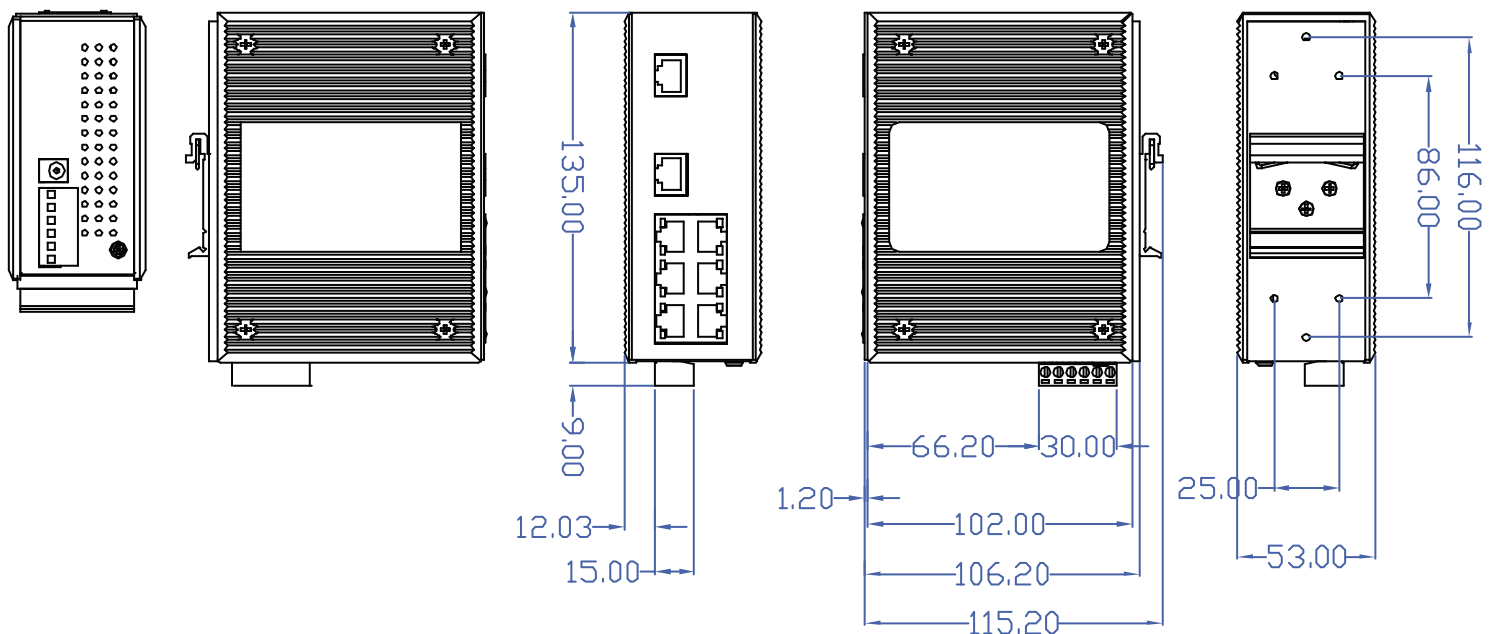
Features

- High Performance Network Switching Technology**
- ✓ Complies with IEEE 802.3, IEEE 802.3u, IEEE 802.3X
 - ✓ Provides 8 x 10/100 Mbps Ethernet ports with RJ-45 connector
 - ✓ RJ-45 Port support auto MDI/MDI-X crossover
 - ✓ Provides broadcast storm protection
 - ✓ Supports IEEE 802.3X flow control on full duplex, back pressure on half duplex
- Robust Industrial Design**
- ✓ Robust Aluminum case complying to IP-31 housing standard
 - ✓ Supports operating temperature -10 to 70°C & Extended temperature -40 to 80°C
 - ✓ DIN-Rail, panel mounting or desktop installation
 - ✓ High level of immunity to electromagnetic interference & power supply surges typically found in industrial plant environments or external curb side enclosures
- Reliable Power Design**
- ✓ Wide range redundant power design
 - ✓ Equipped with redundant power inputs
 - ✓ Supports 12 to 48VDC redundant power with polarity reverse protection
 - ✓ Terminal block present for master and slave power

Overview

The Husky series HUE-800 is an entry level Industrial 5-port Unmanaged Ethernet Switch. It has 8 10/100TX RJ-45 ports that support IEEE 802.3/802.3u/802.3x with 10/100M, full/half duplex, and MDI/MDI-X auto-sensing. The HUE-800 is equipped with a terminal block to provide dual power inputs with reverse polarity protection. Its IP-31 housing protection, wide operating temperature of -10 to 70°C and DIN-Rail mounting is suitable for an industrial environment. The E version extends the temperature rating to -40 to 80°C. The HUE-800 is a plug-and-play solution for your Industrial Ethernet applications.

Dimensions



Hardware Specifications

Interface

RJ-45 Ports	8 10/100Base-TX auto-negotiation speed, Full/Half duplex, auto MDI/MDI-X
LEDs	Per unit: Power x 3 (Green) Per port: Link/Active (Green), Full duplex/Collision (Green)
Power Input	VDC 12-48V Redundant power with polarity reverse protect function and removable terminal block
Power Protection	Power Reverse Polarity: Present
Power Consumption	2.8 watts
Dimensions	IP-31 standard, 54 mm (W) x 135 mm (H) x 105 mm (D)
Installation	DIN-Rail, panel mounting or desktop

Environmental

Operating Temperature	Regular: -10 to 70°C Extended: -40 to 80°C
Storage Temperature	-40 to 85°C (-40 to 185°F)
Operating Humidity	5%~90% RH (Non-condensing)

Technology Specifications

Standard	IEEE 802.3 10Base-T Ethernet IEEE 802.3u 100Base-TX Fast Ethernet IEEE802.3x Flow Control and Back-pressure
Network Media	10Base-T: 2-pair UTP/STP Cat. 3, 4, 5 cable EIA/TIA-568 100-ohm (100m) 100Base-TX: 2-pair UTP/STP Cat. 5/5e cable EIA/TIA-568 100-ohm (100m)
Protocol Technology	CSMA/CD
Switching Architecture	Store and Forward

Performance

Data Transfer Rate	14,880 pps for Ethernet port and 148,800 pps for Fast Ethernet port
MAC Address	2K
Memory Buffer	1 Mbytes
Back-plane	1.6 Gbps
Transfer packet size	1.19Mpps @ 64bytes

Regulatory Approvals

EMI	FCC Class A
EMS	EN6100-4-2 EN6100-4-3 EN6100-4-4 EN6100-4-5 EN6100-4-6 EN6100-4-8 EN6100-4-11
Safety	UL, cUL, CE/EN60950
Shock	IEC60068-2-27
Vibration	IEC60068-2-6
Free Fall	IEC60068-2-32
Class 1 DIV 2	Pending *
DNV	Pending *
Environmental	WEEE, RoHS
MTBF	325,000 hrs based on Mil-Hdbk-217F, GB
Warranty	5 years

Ordering Information

HUE-800	Industrial 8-port Unmanaged Ethernet Switch
HUE-800E	Industrial 8-port Unmanaged Ethernet Switch, Extended Temperature -40 to 80°C

*Extended temperature products are produced to order

Recommended Accessories

DR-4524	45W/2A DIN-Rail 24 VDC power supply
DR-7524	75W/3.2A DIN-Rail 24 VDC power supply
DR-120-24	120W/5A DIN-Rail 24 VDC power supply



1800 817 807
sales@alloy.com.au
www.alloy.com.au

Proudly distributed in Australia by

Alloy Computer Products Australia Pty Ltd

Melbourne
4/585 Blackburn Road
Notting Hill, VIC 3168
Tel: (03) 8562 9000
Fax: (03) 9561 7412

Canberra
2/42 Geils Court
Deakin, ACT 2600
Tel: (02) 6291 4922
Fax: (02) 6291 8100

Sydney
99 Baxter Road
Mascot, NSW 2020
Tel: (02) 8080 9600
Fax: (02) 8080 9602