

RUS-9510A

Industrial Isolated RS-422/485 Repeater

Features

High Performance Design

- ✓ Automatic internal RS-422/485 bus supervision
- ✓ No external flow control signals required for RS-485
- ✓ Transient suppression on RS-485 data lines
- ✓ Supported baud rate up to 115.2Kbps
- ✓ Reach distance up to 4000 feet (1200m)
- ✓ Reserved space for termination resistors (R8,R9)

Robust Industrial Design

- ✓ Robust ABS housing with captive mounting hardware
- ✓ Supports operating temperature -25 to 75
- ✓ DIN-Rail or Panel mount

Reliable Power Design

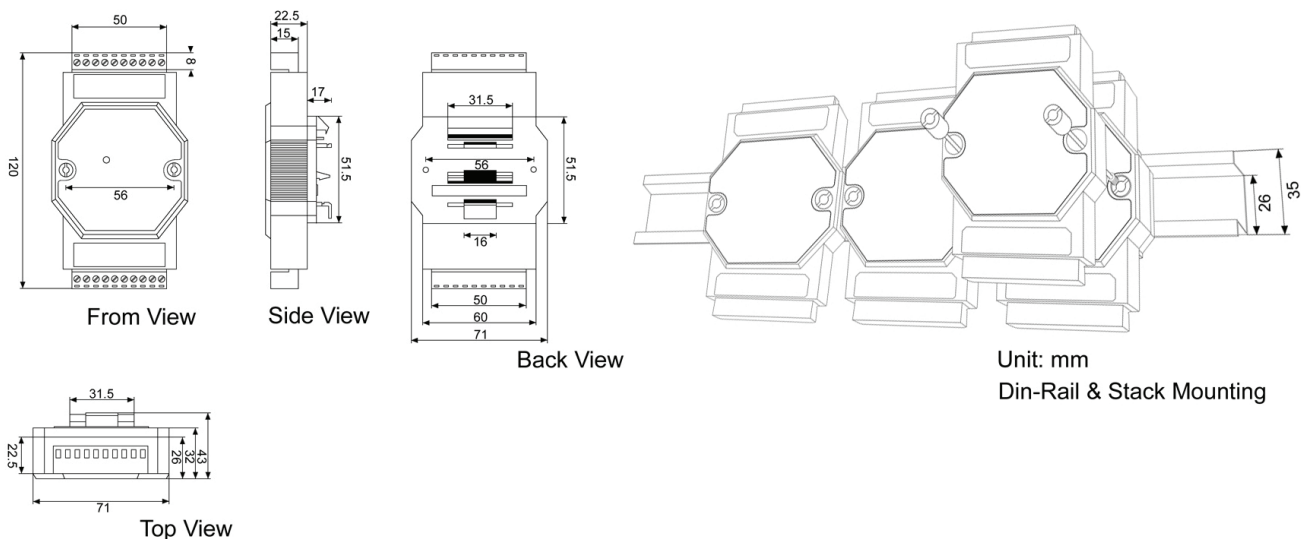
- ✓ Minimum 3000 VDC isolation protection
- ✓ Power and data flow indicator for troubleshooting
- ✓ Power requirement: +10V to +30VDC



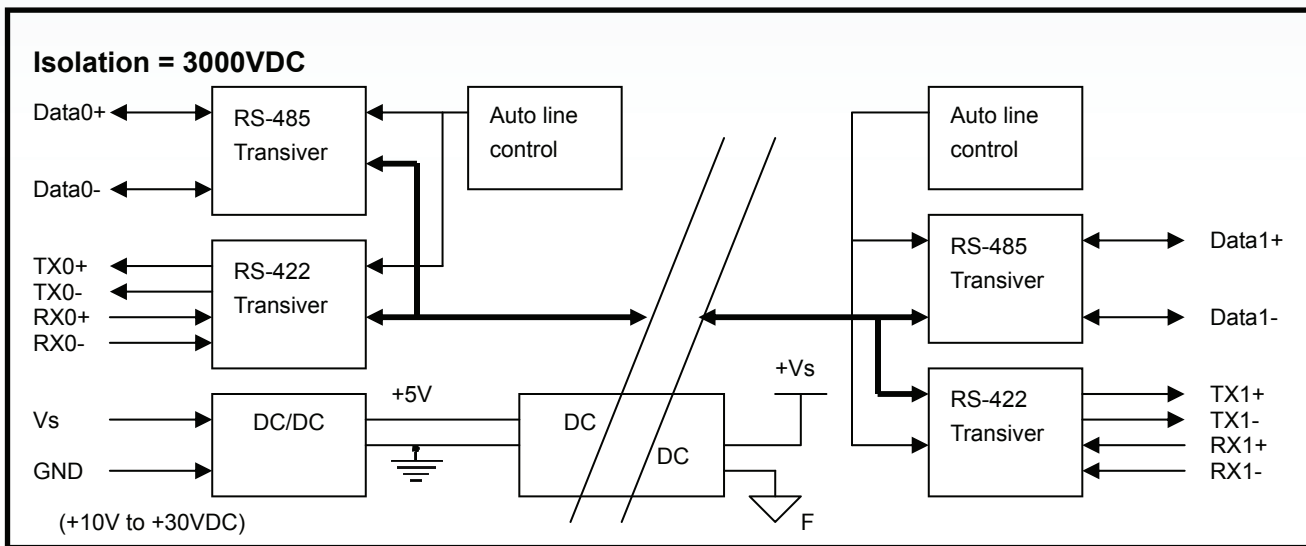
Overview

The Retriever RUS-9510A repeater extends RS-422/485 signals distance up to 4000 ft (1200m) and increase the maximum number of connected nodes up to 128. With a special circuitry, RUS-9510A is able to automatically detect the data flow and switch the direction of the data lines accordingly. “Auto baud rate detector” enables RUS-9510A to automatically configure RS-422/485 signals to any baud rate without external switch setting. The built-in opto-isolation on RUS-9510A provides 3000 VDC isolation to protect the host computer from ground loops and destructive voltage spikes on the RS-422/485 data lines. RUS-9510A also offers internal surge-protection on the data lines. Internal high-speed transient suppressors on each data line protect the module from dangerous voltages levels or spikes.

Dimensions



Block Diagrams



Hardware Specifications

Serial Interface

Input	RS-422/485
Output	RS-422/485
Isolation Protection	3000VDC
Supported Baud Rate	1200, 2400, 4800, 9600, 19.2K, 38.4K, 57.6K, 115.2K
RS-422 Signals	Tx+, Tx-, Rx+, Rx-
RS-485 Signals	Data+, Data-
Plug-in Screw Terminal Wiring	Accepts AWG 1-#12 to #22 (0.5 to 2.5mm) wires

Power

Power Requirements	Unregulated +10 to +30VDC with protection from power reversals
Power Consumption	0.7W

Physical

Case	ABS with captive mounting hardware
Accessories	NYLON DIN-rail Mounting Adapter SECC Panel Mounting Bracket
Dimension	7 x 10 x 2 cm
Weight	0.4 kg

Environmental

Operating Temperature	-25 to 75°C
Storage Temperature	-40 to 80°C
Operating Humidity	5%~95% RH (Non-condensing)

Technology Specifications

Regulatory Approvals

EMI	FCC
Safety	CE
Environmental	WEEE, RoHS
MTBF	300,000 hrs based on Mil-Hdbk-217F, GB
Warranty	5 years

Ordering Information

RUS-9510A	Industrial Isolated RS-422/485 Repeater
------------------	---



1800 817 807
sales@alloy.com.au
www.alloy.com.au

Proudly distributed in Australia by

Alloy Computer Products Australia Pty Ltd

Melbourne
4/585 Blackburn Road
Notting Hill, VIC 3168
Tel: (03) 8562 9000
Fax: (03) 9561 7412

Canberra
2/42 Geils Court
Deakin, ACT 2600
Tel: (02) 6291 4922
Fax: (02) 6291 8100

Sydney
99 Baxter Road
Mascot, NSW 2020
Tel: (02) 8080 9600
Fax: (02) 8080 9602