

RUS-9520A

Industrial RS-232 to RS-422/RS-485 Converter



Features

High Performance Design

- ✓ Converts RS-232 to RS-422/485
- ✓ Automatic internal RS-422/485 baud rate control
- ✓ Auto switching baud rate, 300-115200 bps
- ✓ Supports Multiple baud-rate
- ✓ Supports Multiple data format
- ✓ Supports 255 modules maximum in one RS-485 network without a repeater

Communication distance

- 2.1 Km/9600 Bps
- 2.7 Km/4800 Bps
- 3.6 Km/2400 Bps

Robust Industrial Design

- ✓ Robust ABS housing with captive mounting hardware
- ✓ Supports operating temperature -25 to 75
- ✓ DIN-Rail or Panel mount

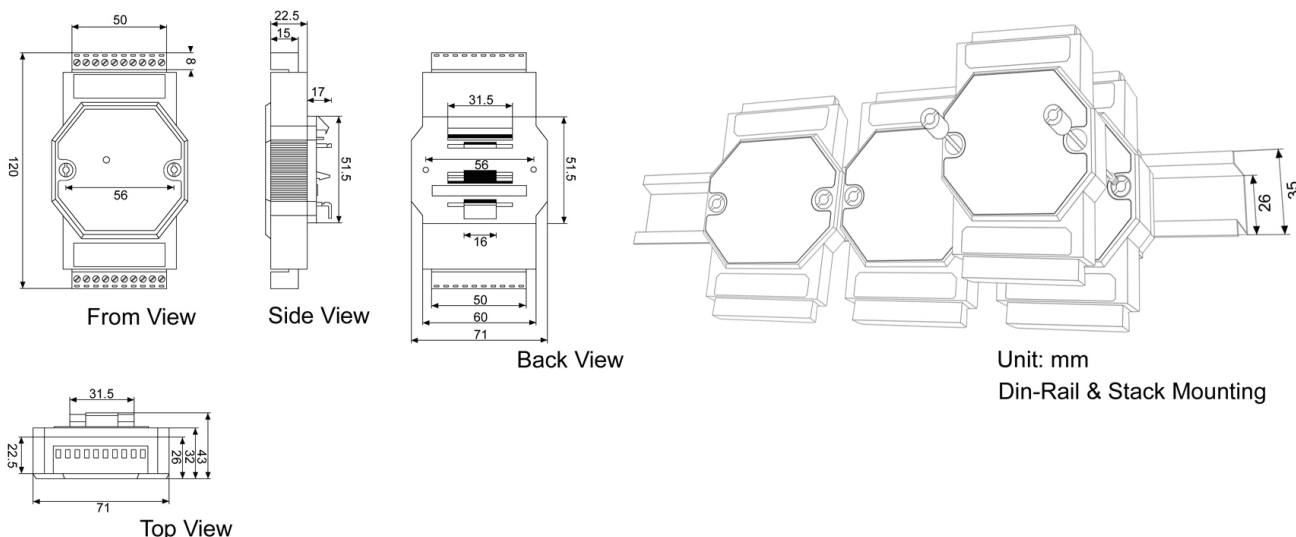
Reliable Power Design

- ✓ Minimum 3000 VDC isolation protection at RS-232 side
- ✓ Power and data flow indicator for troubleshooting
- ✓ Power requirement: +10V to +30VDC
- ✓ Power and data flow indicator for easy troubleshooting

Overview

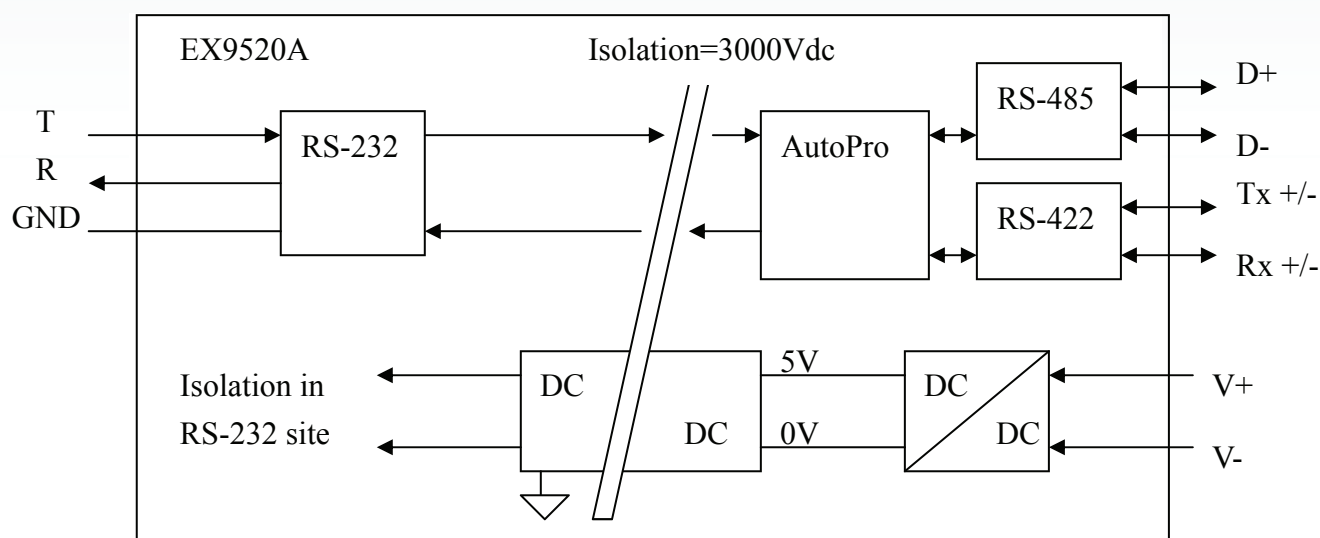
The RUS-9520A is an Industrial RS-232 to RS-422/485 converter with Auto-Pro. The Auto-pro can adjust the baud-rate for different devices in a RS-485 network. "Auto baud rate detector" enables RUS-9520A to automatically configure RS-422/485 signals to any baud rate without external switch setting. The built-in opto-isolation on RUS-9520 provides 3000 VDC isolation to protect the host computer from ground loops and destructive voltage spikes on the RS-422/485 data lines. RUS-9520 also offers internal surge-protection on the data lines. Internal high-speed transient suppressors on each data line protect the module from dangerous voltages levels or spikes.

Dimensions



Unit: mm
Din-Rail & Stack Mounting

Block Diagrams



Hardware Specifications

Serial Interface

Input	RS-232
Output	RS-422/485 jumper selectable
Isolation Protection	3000VDC at RS-232 Side
Supported Baud Rate	Auto pro, baud rates from 300 to 115200 bps
RS-422 Signals	Tx, Rx, GND (Female DB9 connector)
RS-485 Signals	Data+, Data-
Communication Distance	2.1 Km/9600 Bps 2.7 Km/4800 Bps 3.6 Km/2400 Bps
Plug-in Screw Terminal Wiring	Accepts AWG 1-#12 to #22 (0.5 to 2.5mm) wires

Power

Power Requirements	Unregulated +10 to +30VDC with protection from power reversals
Power Consumption	2.2W

Physical

Case	ABS with captive mounting hardware
Accessories	NYLON DIN-rail Mounting Adapter SECC Panel Mounting Bracket
Dimension	7 x 10 x 2 cm
Weight	0.4 kg

Environmental

Operating Temperature	-25 to 75°C
Storage Temperature	-40 to 80°C
Operating Humidity	5%~95% RH (Non-condensing)

Technology Specifications

Regulatory Approvals

EMI	FCC
Safety	CE
Environmental	WEEE, RoHS
MTBF	300,000 hrs based on Mil-Hdbk-217F, GB
Warranty	5 years

Ordering Information

RUS-9520A	Industrial RS-232 To RS-422/485 Converter
------------------	---



1800 817 807
sales@alloy.com.au
www.alloy.com.au

Proudly distributed in Australia by

Alloy Computer Products Australia Pty Ltd

Melbourne
 4/585 Blackburn Road
 Notting Hill, VIC 3168
 Tel: (03) 8562 9000
 Fax: (03) 9561 7412

Canberra
 2/42 Geils Court
 Deakin, ACT 2600
 Tel: (02) 6291 4922
 Fax: (02) 6291 8100

Sydney
 99 Baxter Road
 Mascot, NSW 2020
 Tel: (02) 8080 9600
 Fax: (02) 8080 9602