

**RUS-9530**

**Industrial Isolated USB to RS-232/RS-422/485 Converter**



**Features**

**High Performance Design**

- ✓ USB Specification 1.1 Compliant
- ✓ Auto direction flow control on RS-485
- ✓ Full-Duplex RS-232/RS-422 support
- ✓ RS-232 support RTS & CTS handshake signals
- ✓ Transient suppression on RS-485 data lines
- ✓ Auto switching for USB to RS-232/RS-422 or RS-485 (jumperless)
- ✓ Auto Switching Baud Rate up to 115.2 Kbps
- ✓ Reserved space for termination resistors R1(TX/DATA), R2(RX)
- ✓ Driver support for Windows 95/98/ME/2000/XP, Linux

**Robust Industrial Design**

- ✓ Robust ABS housing with captive mounting hardware
- ✓ Supports operating temperature -25 to 75
- ✓ DIN-Rail or Panel mount

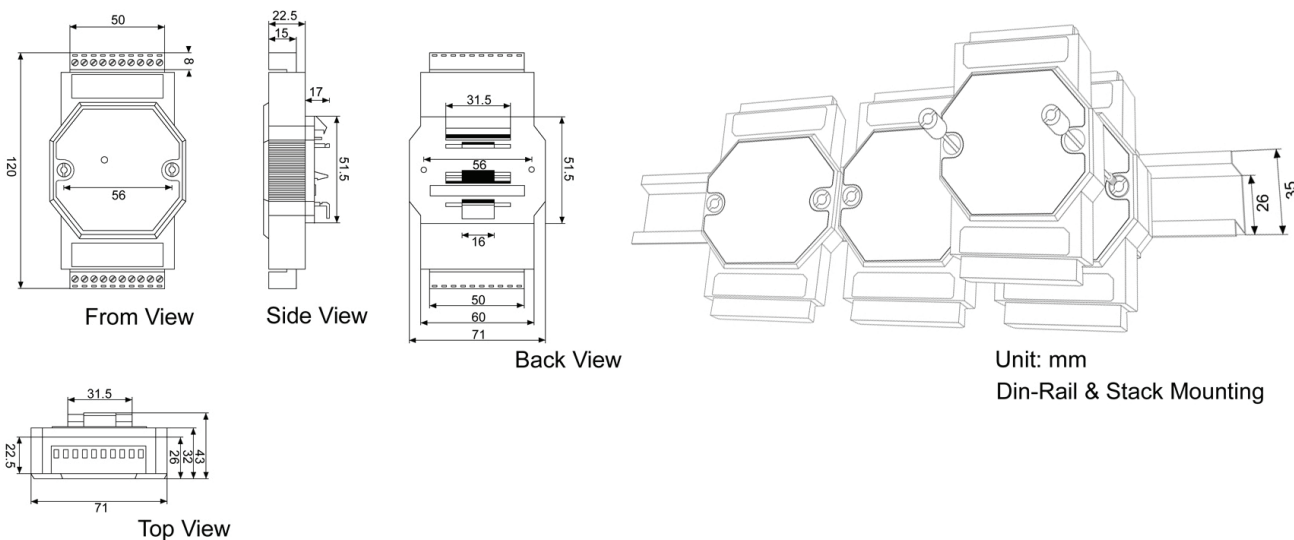
**Reliable Power Design**

- ✓ Minimum 3000 VDC isolation protection
- ✓ Power and data flow indicator for troubleshooting
- ✓ Power requirement: +10V to +30VDC
- ✓ Power and data flow indicator for troubleshooting
- ✓ Self-power power requirement

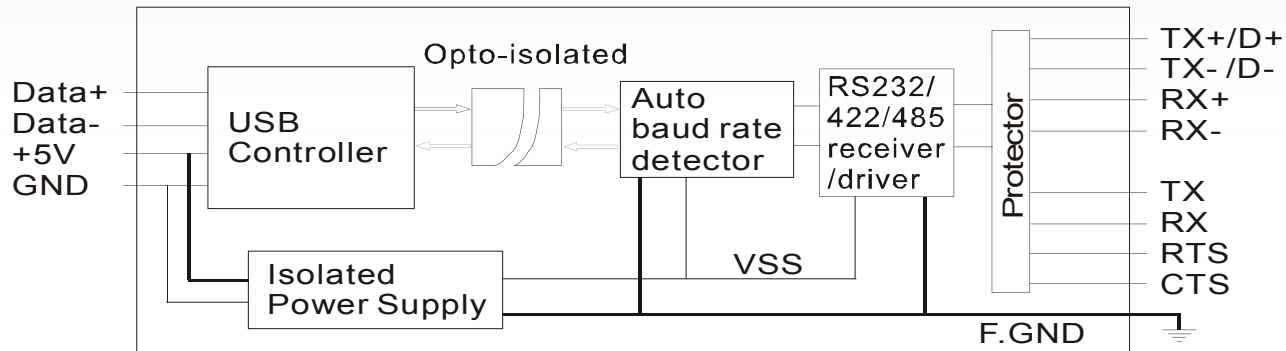
**Overview**

The Retriever RUS- 9530 is an intelligent, stackable expansion converter that connects to a PC USB port or USB Hub via the Universal Serial Bus (USB) port, providing one High-Speed RS-232/RS-422 or RS-485 jumperless serial port. The RUS-9530 features easy connectivity for traditional serial devices. The RS-232 standard supports full-duplex communication and handshaking signals (such as RTS, CTS) and the RS-485 control is completely transparent to the user and software written for half-duplex COM works without any modification. The built-in opto-isolator provides 3000 VDC isolation to protect the host computer from ground loops and destructive voltage spikes on the RS-232/RS-422 and RS-485 data lines. RUS-9530 offers internal surge-protection on their data lines. Internal high-speed transient suppressors on each data line protect the modules from dangerous voltages levels or spikes. The RUS-9530 module derives the power from USB port and doesn't need any power adapter.

**Dimensions**



**Block Diagrams**



**Hardware Specifications**

**Serial Interface**

<b>USB Controller</b>	Compatibility USB Specification 1.1 Standard
<b>USB Interface</b>	USB type B connector
<b>Isolation Protection</b>	RS-232/422/485
<b>Converted Signals</b>	RS-232/RS-422 or RS-485 Auto switching (jumperless)
<b>Handshaking</b>	RS-232 support RTS & CTS handshake signals
<b>Auto Switching Baud Rate</b>	300 ~115.2 K BPS
<b>Isolation Voltage</b>	3000 VDC
<b>Transmission &amp; Receiving</b>	LED indicator
<b>RS-232/RS-422/RS-485</b>	Plug in screw terminal
<b>Plug-in Screw Terminal Wiring</b>	Accepts AWG 1-#12 to #22 (0.5 to 2.5 mm) wires

**Power**

<b>Power Requirements</b>	USB Bus power, no external power adaptor required
<b>Power Consumption</b>	0.65W

**Physical**

<b>Case</b>	ABS with captive mounting hardware
<b>Accessories</b>	NYLON DIN-rail Mounting Adapter SECC Panel Mounting Bracket
<b>Dimension</b>	7 x 10 x 2 cm
<b>Weight</b>	0.4 kg

**Environmental**

<b>Operating Temperature</b>	-25 to 75°C
<b>Storage Temperature</b>	-40 to 80°C
<b>Operating Humidity</b>	5%~95% RH (Non-condensing)

**Technology Specifications**

**Regulatory Approvals**

<b>EMI</b>	FCC
<b>Safety</b>	CE
<b>Environmental</b>	WEEE, RoHS
<b>MTBF</b>	300,000 hrs based on Mil-Hdbk-217F, GB
<b>Warranty</b>	5 years

**Ordering Information**

<b>RUS-9530</b>	Industrial Isolated USB to RS-232/RS-422/485 Converter
-----------------	--



**1800 817 807**  
[sales@alloy.com.au](mailto:sales@alloy.com.au)  
[www.alloy.com.au](http://www.alloy.com.au)

*Proudly distributed in Australia by*

**Alloy Computer Products Australia Pty Ltd**

**Melbourne**  
 4/585 Blackburn Road  
 Notting Hill, VIC 3168  
 Tel: (03) 8562 9000  
 Fax: (03) 9561 7412

**Canberra**  
 2/42 Geils Court  
 Deakin, ACT 2600  
 Tel: (02) 6291 4922  
 Fax: (02) 6291 8100

**Sydney**  
 99 Baxter Road  
 Mascot, NSW 2020  
 Tel: (02) 8080 9600  
 Fax: (02) 8080 9602